

To : Tecnicrafts Industries
 Attn : SALES
 E-Mail : info@tecnicrafts.com

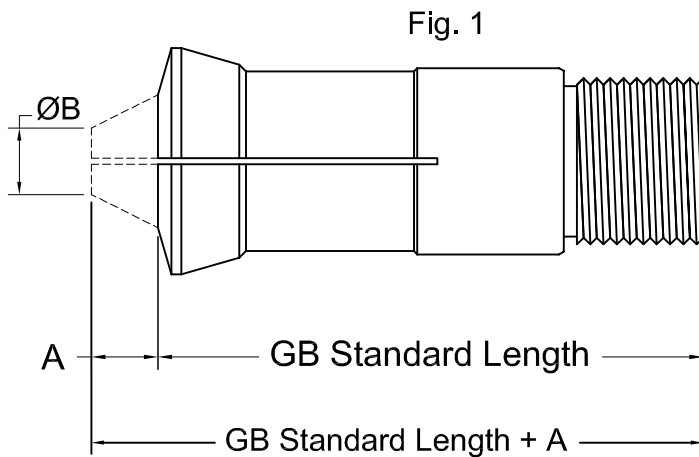
From : _____
 Name : _____
 E-mail : _____

Machine Make & Model : _____

Note : " Copy this Sheet Prior to Use "

Extended Nose Guide Bush

Fig.1. Extended Nose Guide Bush

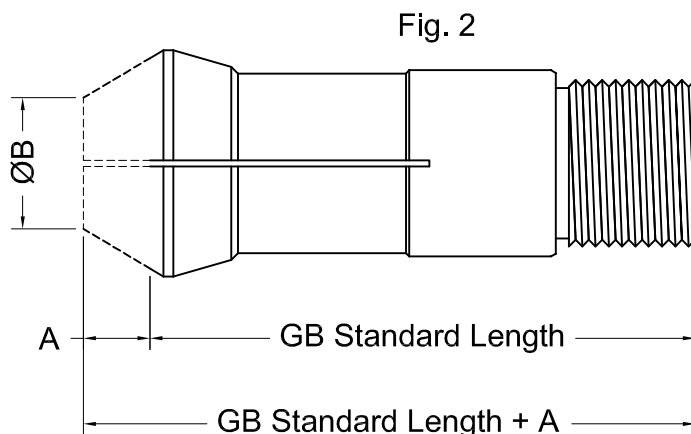


A : _____

ØB : _____

Bore Dia : _____

Fig.2. Extended Nose Guide Bush



A : _____

ØB : _____

Bore Dia : _____